

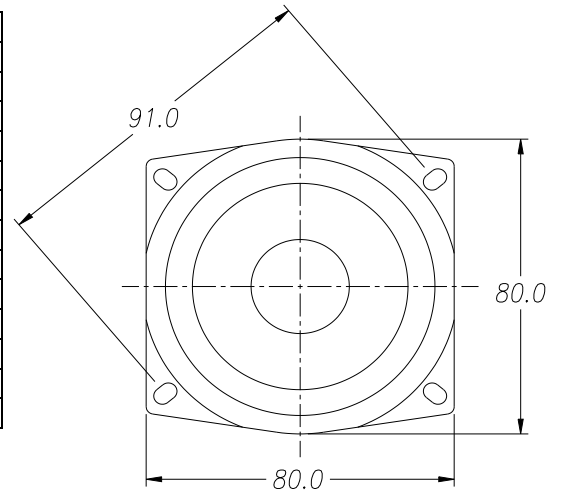
General Specifications

Nominal Diameter	80	mm	3.1	Inch
Rated Impedance	4	Ω		
Power Handling Capacity	20	Watts		
Sensitivity 2.83 V, 1M	88.5	dB		
Effective Piston Diameter	62	mm	2.4	Inch
Voice Coil Diameter	20.40	mm	0.7	Inch

Series Name	PA-SERIES
Model Name	PA-20K
Code Number	42003028-1
Status	Product Spec
Originator	POS 15/05/08
Approved	DOM

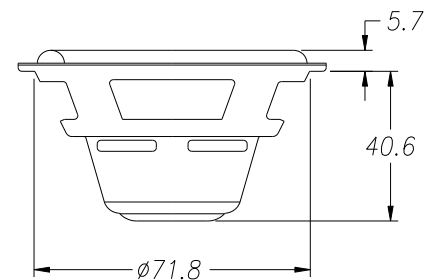
Thiele - Small Parameters

Resonance Frequency	F_s	136	Hz
DC Resistance	R_e	3.4	Ω
Mechanical Q Factor	Q_{ms}	6.685	
Electrical Q Factor	Q_{es}	0.541	
Total Q Factor	Q_{ts}	0.501	
BL Factor	BL	3.42	T x m
Effective Moving Mass	M_{ms}	2.17	gr
Equivalent C_{as} air load	V_{as}	0.97	liters
Effective piston area	S_d	0.0030	m^2
Voice - coil inductance @ 1KHz	Le_{1K}	0.06	mH
Half-space efficiency	Eff	0.44	%
Airgap Height	H_{ag}	3.0	mm
Voice coil Height	H_{vc}	5.5	mm
Voice Coil Over-Hung	X_{max}	1.3	mm



Physical Information

Basket	Black Stamp Steel		
Magnet type,size ODxDxH (mm.)	18 X 0 X 10		
Magnet type,size ODxDxH (mm.)	18 X 0 X 12	NEO	0.9 oz.
Voice coil Former	KSV		
Voice coil Material	SV-W		
Cone Material	Kevlar Fiber		
Surround	Rubber		
Dust Cap	Polymer Color Black		
Standard Packing	25 Pcs / Pack		
Unit Weight	0.15 Kgs.	Gross Weight	4.0 Kgs.
Packing Dimension WxLxH (Cm.)	27.0 X 27.0 X 16.0	0.41	Cu.Ft.



Frequency Response

Impedance vs Freq

